

LinkX™ 40Gb/s Active Optical Cables



Overview

Mellanox's LinkX active optical cables are a cost-effective solution for high bandwidth fabrics, extending the benefits of Mellanox's high-performance InfiniBand and 10 Gigabit Ethernet adapters throughout the network. Mellanox QSFP+ cable is an assembly of 4 full-duplex lanes, where each lane is capable of transmitting data at rates up to 10Gb/s per direction, providing an aggregated rate of 40Gb/s. In addition to meeting or exceeding IBTA and IEEE standards, Mellanox Certified cables are 100% tested on Mellanox equipment to ensure optimal signal integrity and the best end to end performance. With Mellanox's LinkX cables you will experience trouble-free installation and long-term operation.

Mellanox optical solutions provide short, medium and long range scalability for all topologies, utilizing innovative optical technologies to enable extremely high signal integrity and reliability. Rigorous cable production testing ensures best out-of-the-box installation experience, performance and durability.



MC2206310

Table 1 - Cable Specifications and Ordering Information

Max. Reach [m] ²	Max Power Consumption [W] ¹	Tolerance [m]	Part Numbers	Applications
3	1.5	+0.3	MC2206310-003	IB QDR/ FDR10/40GbE
5	1.5	+0.5	MC2206310-005	
10	1.5	+0.5	MC2206310-010	
15	1.5	+0.5	MC2206310-015	
20	1.5	+0.5	MC2206310-020	
30	1.5	+0.5	MC2206310-030	
50	1.5	+1.0	MC2206310-050	
100	1.5	+1.0	MC2206310-100	

HIGHLIGHTS

- Low power consumption
- Compliant with SFF-8436
- Ultra low crosstalk for improved performance
- Low insertion loss
- BER Better than 10⁻¹⁵
- Serial numbers printed on each end
- Tested in an end-to-end environment in Mellanox
- RoHS 6 Compliant
- Plenum rated

Table 2 - Operating Conditions

Parameter	Minimum	Typical	Maximum	Units
Supply Voltage	3.15	3.3	3.45	V
Data Rate per Lane				
MC2206310	2.5		10.5	Gb/s
MFS4R12CB	1.0		10.5	Gb/s
Input Voltage	-0.3		3.6	V
Humidity (RH)	5		85	%
Bulk Bend Radii	30			mm
Operating Case Temperature	0°C		70°C	
Storage Ambient Temperature	-10°C		75°C	

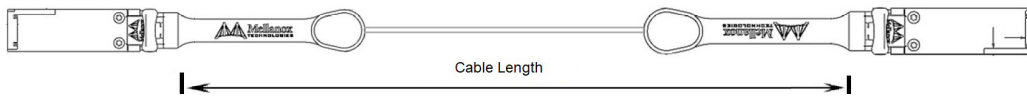


Figure 1. Cable Length

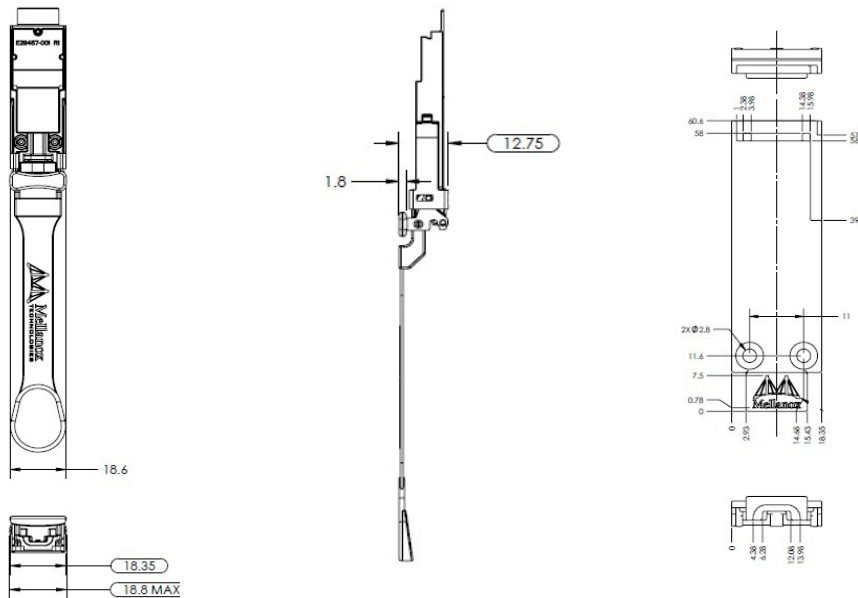


Figure 2. MC2206310 Mechanical Drawings and Information

Warranty Information

The Mellanox fiber optic 40Gb/s QSFP+ cables include a 1 year limited hardware warranty, which covers parts repair or replacement.

Additional Information

For more information about Mellanox QSFP+ cable solutions, please contact your Mellanox Technologies sales representative or visit: <http://www.mellanox.com=>Products=>Cables=>Cables Overview>



350 Oakmead Parkway, Suite 100, Sunnyvale, CA 94085
 Tel: 408-970-3400 • Fax: 408-970-3403
www.mellanox.com