

LinkX™ 100Gb/s Silicon Photonics-Based Active Optical Cables

Mellanox's LinkX active optical cables are a cost-effective solution for high bandwidth fabrics, extending the benefits of Mellanox's high-performance InfiniBand and Ethernet adapters and switches. Mellanox QSFP+ cable is an assembly of 4 full-duplex lanes, where each lane is capable of transmitting data at rates up to 28Gb/s per direction, providing an aggregated rate of 100Gb/s. Mellanox certified cables are 100% tested on Mellanox's equipment to ensure interoperability and the best end to end performance. Mellanox's active optical cables are designed to create the smallest environmental footprint, and complying with class-4 QSFP+ power consumption requirement.

Mellanox optical solutions provide short, medium and long range scalability for all topologies, utilizing innovative optical technologies to enable extremely high signal integrity and reliability. Rigorous cable production testing ensures best out-of-the-box installation experience, performance and durability.



Table 1 - Ordering Information

Part Number	Description
MFS1200-C003	Mellanox active fiber cable, ETH 100GbE, 100Gb/s, QSFP, 3m
MFS1200-E003	Mellanox active fiber cable, VPI, up to 100Gb/s, QSFP, 3m
MFS1200-C005	Mellanox active fiber cable, ETH 100GbE, 100Gb/s, QSFP, 5m
MFS1200-E005	Mellanox active fiber cable, VPI, up to 100Gb/s, QSFP, 5m
MFS1200-C010	Mellanox active fiber cable, ETH 100GbE, 100Gb/s, QSFP, 10m
MFS1200-E010	Mellanox active fiber cable, VPI, up to 100Gb/s, QSFP, 10m
MFS1200-C015	Mellanox active fiber cable, ETH 100GbE, 100Gb/s, QSFP, 15m
MFS1200-E015	Mellanox active fiber cable, VPI, up to 100Gb/s, QSFP, 15m
MFS1200-C020	Mellanox active fiber cable, ETH 100GbE, 100Gb/s, QSFP, 20m
MFS1200-E020	Mellanox active fiber cable, VPI, up to 100Gb/s, QSFP, 20m
MFS1200-C030	Mellanox active fiber cable, ETH 100GbE, 100Gb/s, QSFP, 30m
MFS1200-E030	Mellanox active fiber cable, VPI, up to 100Gb/s, QSFP, 30m
MFS1200-C050	Mellanox active fiber cable, ETH 100GbE, 100Gb/s, QSFP, 50m
MFS1200-E050	Mellanox active fiber cable, VPI, up to 100Gb/s, QSFP, 50m
MFS1200-C100	Mellanox active fiber cable, ETH 100GbE, 100Gb/s, QSFP, 100m
MFS1200-E100	Mellanox active fiber cable, VPI, up to 100Gb/s, QSFP, 100m
MFS1200-C200	Mellanox active fiber cable, ETH 100GbE, 100Gb/s, QSFP, 200m
MFS1200-E200	Mellanox active fiber cable, VPI, up to 100Gb/s, QSFP, 200m

HIGHLIGHTS

- Low power consumption
- Compliant with SFF-8665
- Compliant with IEEE 802.3bm
- Ultra low crosstalk for improved performance
- Low insertion loss
- BER Better than 10⁻¹⁵
- Serial numbers printed on each end
- RoHS 6 Compliant
- Using Laser Class 4
- Halogen free

Table 2 - Operational Specifications

Parameter	Minimum	Maximum	Units
Data Rate per Lane	1	28	Gb/s
Input Voltage	-0.3	3.6	V
Humidity (RH)	5	85	%
Operating Case Temperature	0°C	70°C	C
Storage Ambient Temperature	-10°C	75°C	C

Figure 1. Cable Length

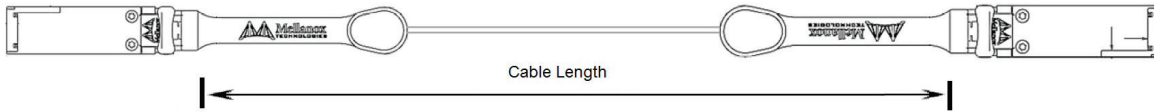
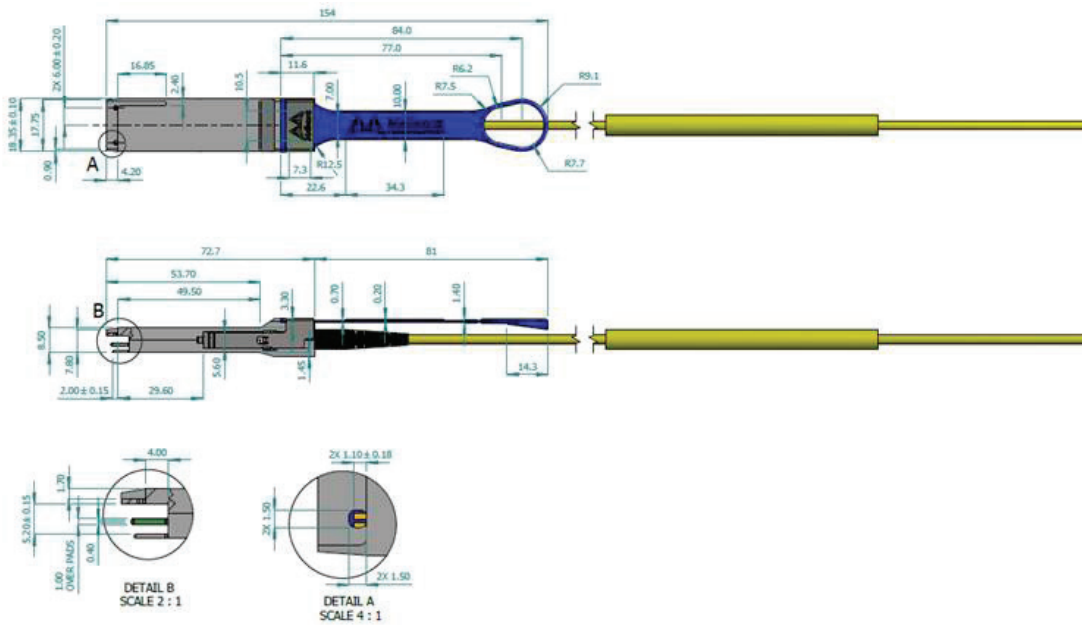


Figure 2. Mechanical Schematic



Warranty Information

The Mellanox LinkX fiber optic 100Gb/s QSFP+ cables include a 1 year limited hardware warranty, which covers parts repair or replacement.

Additional Information

For more information about Mellanox’s LinkX QSFP cable solutions, please contact your Mellanox Technologies sales representative or visit: <http://www.mellanox.com=>Products=>Cables=>Cables Overview>



350 Oakmead Parkway, Suite 100, Sunnyvale, CA 94085
 Tel: 408-970-3400 • Fax: 408-970-3403
www.mellanox.com